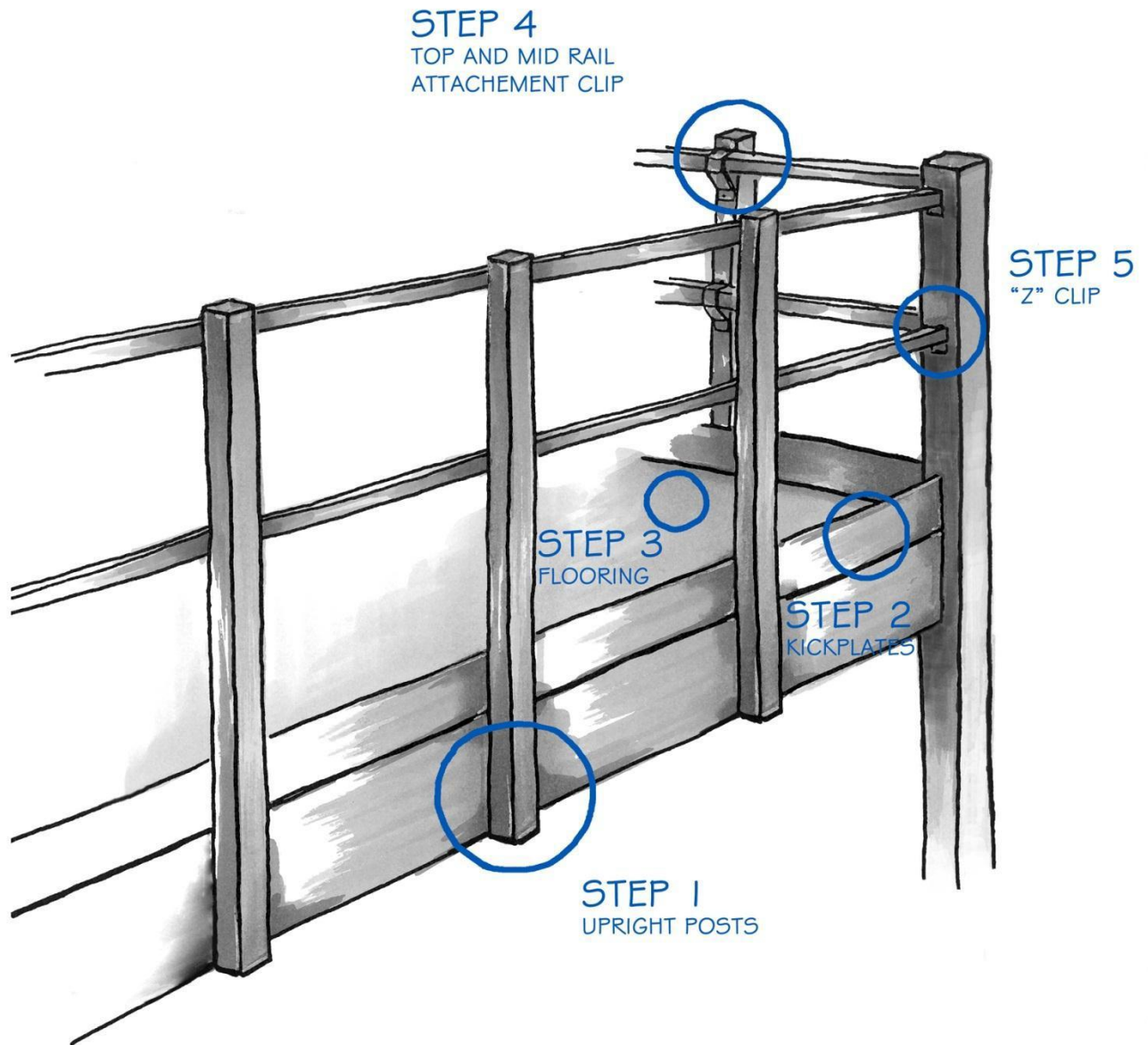


# INSTALLATION MANUAL

For the most current release of this manual,  
please visit our website at [cogan.com](http://cogan.com)

V.2015.1



<b>Product</b>	Pre-Engineered Floor Decking System
<b>Sub-product</b>	Handrail

- 3 Types of handrail available: 2 rails, 3 rails and 1rail with wire mesh panels.
- Top of handrail at standard 42" high.
- Uprights are side or top mounted.

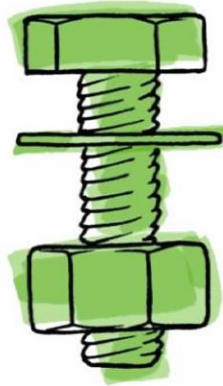


A Tradition of Quality Since 1901

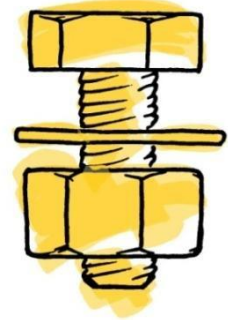
[cogan.com](http://cogan.com)



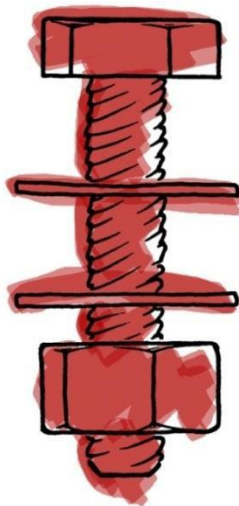
$\varnothing 1/4$ " x 1" HEX  
HEAD TEK SCREW



$\varnothing 3/8$ " x 1 3/4" BOLT



$\varnothing 3/8$ " x 1" BOLT



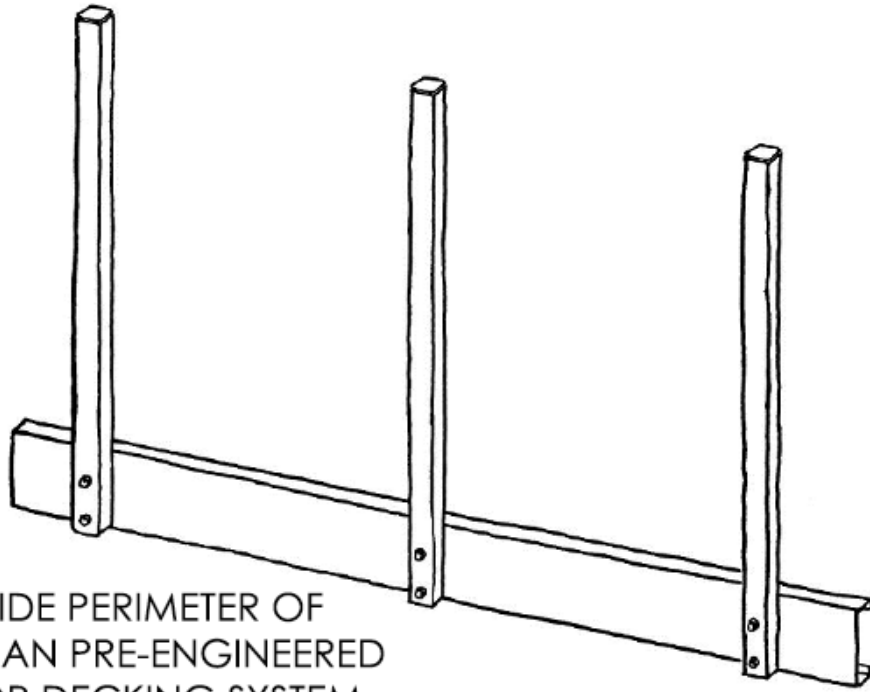
$\varnothing 3/8$ " x 3 1/2" BOLT



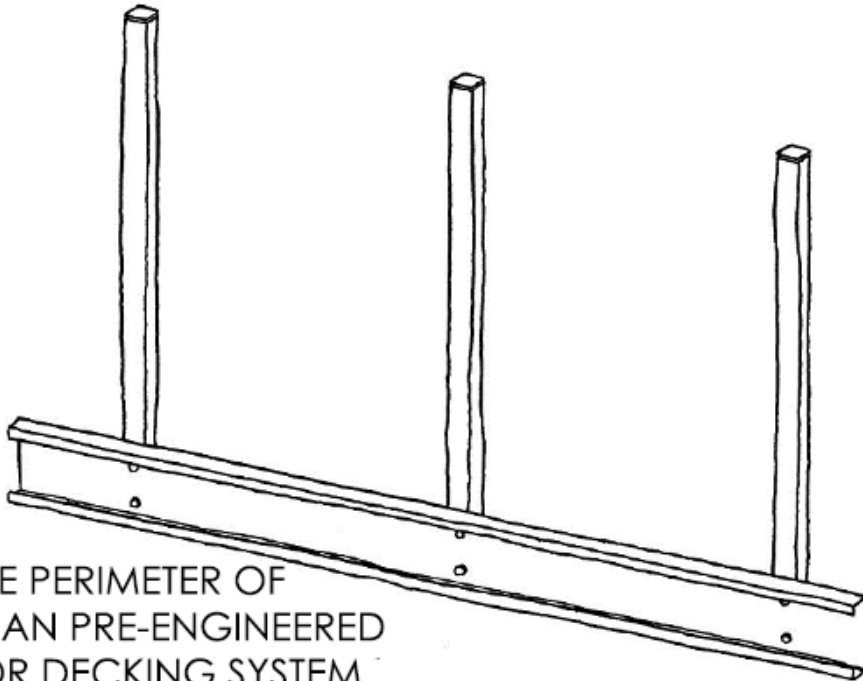
$\varnothing 3/8$ " x 2 3/4" ANCHOR

# STEP 1

## UPRIGHT POSTS



OUTSIDE PERIMETER OF  
COGAN PRE-ENGINEERED  
FLOOR DECKING SYSTEM



INSIDE PERIMETER OF  
COGAN PRE-ENGINEERED  
FLOOR DECKING SYSTEM

## DETAIL A (REINFORCEMENT ANGLES)

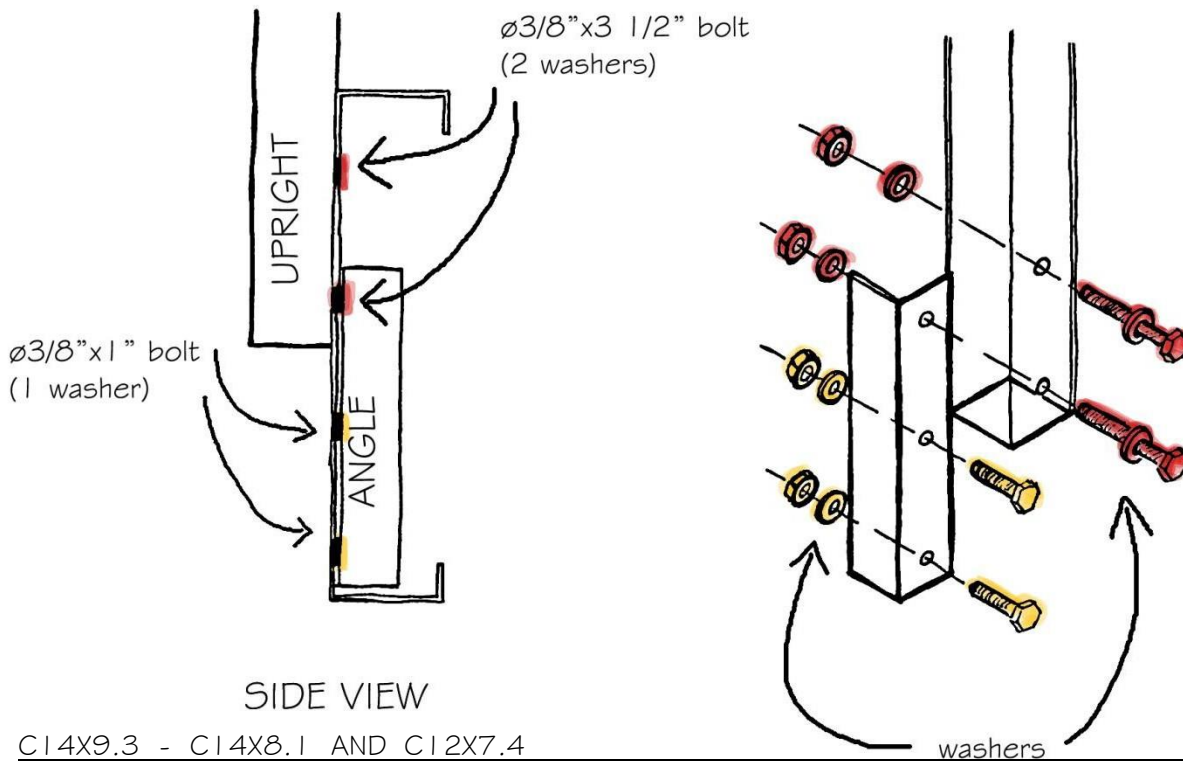
$\phi 3/8$ " x  $3\ 1/2$ " BOLTS ARE USED WHEN CONNECTING TO THE HANDRAIL UPRIGHT WITH OR WITHOUT COGAN'S REINFORCEMENT SINGLE ANGLE. USE 2 WASHERS PER BOLT.

$\phi 3/8$ " x 1" BOLTS ARE USED WHEN CONNECTING COGAN'S REINFORCEMENT SINGLE ANGLE TO CHANNEL.

SINGLE CHANNELS AND SINGLE ANGLES

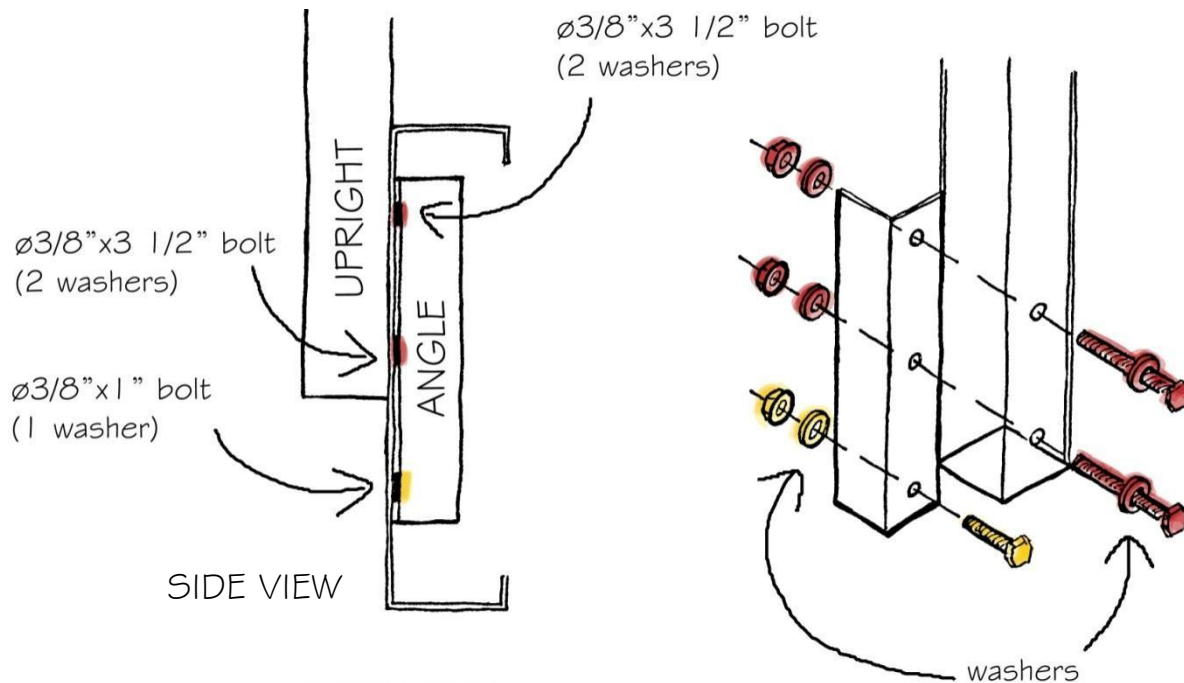
C16X11.5 - C16X10.3

---



C14X9.3 - C14X8.1 AND C12X7.4

---



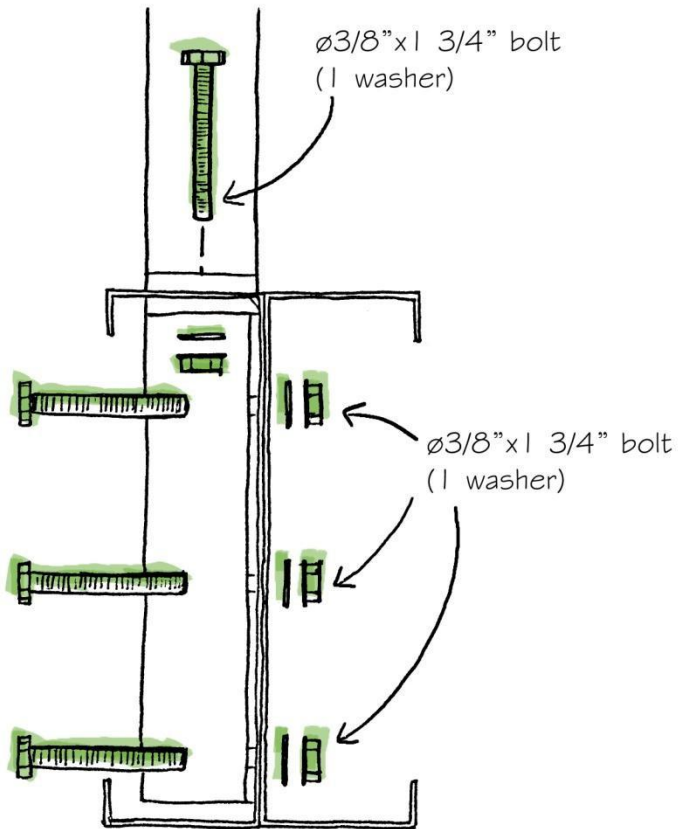
## DETAIL B (REINFORCEMENT ANGLES)

$\varnothing 3/8"$  x 1 3/4" BOLTS ARE USED WHEN CONNECTING COGAN'S REINFORCEMENT WELDED ANGLE TO CHANNEL THAT ARE BACK TO BACK AND ON THE TOP OF ONE OF THE BACK TO BACK CHANNEL.

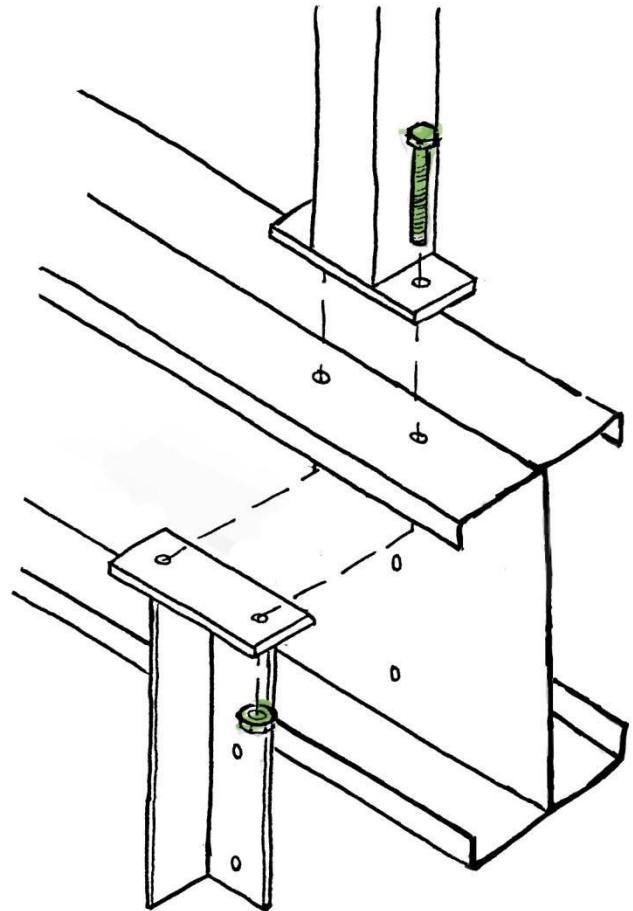
BACK TO BACK CHANNELS AND WELDED ANGLES

C16X11.5 - C16X10.3 AND C14X9.3 - C14X8.1 AND C12X7.4

---

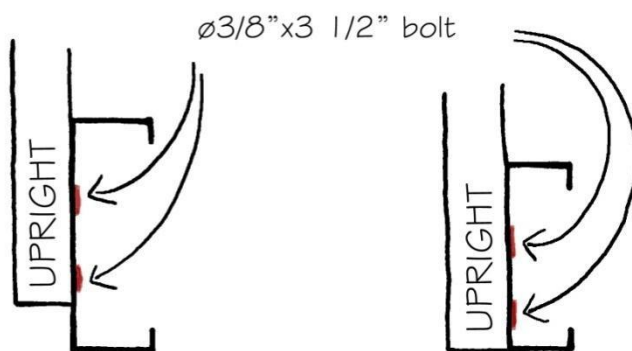


SIDE VIEW



COGAN'S REINFORCEMENT ANGLES ARE NOT NEEDED FOR C10X6.7 AND C8X5.4 OR ANY I-BEAMS

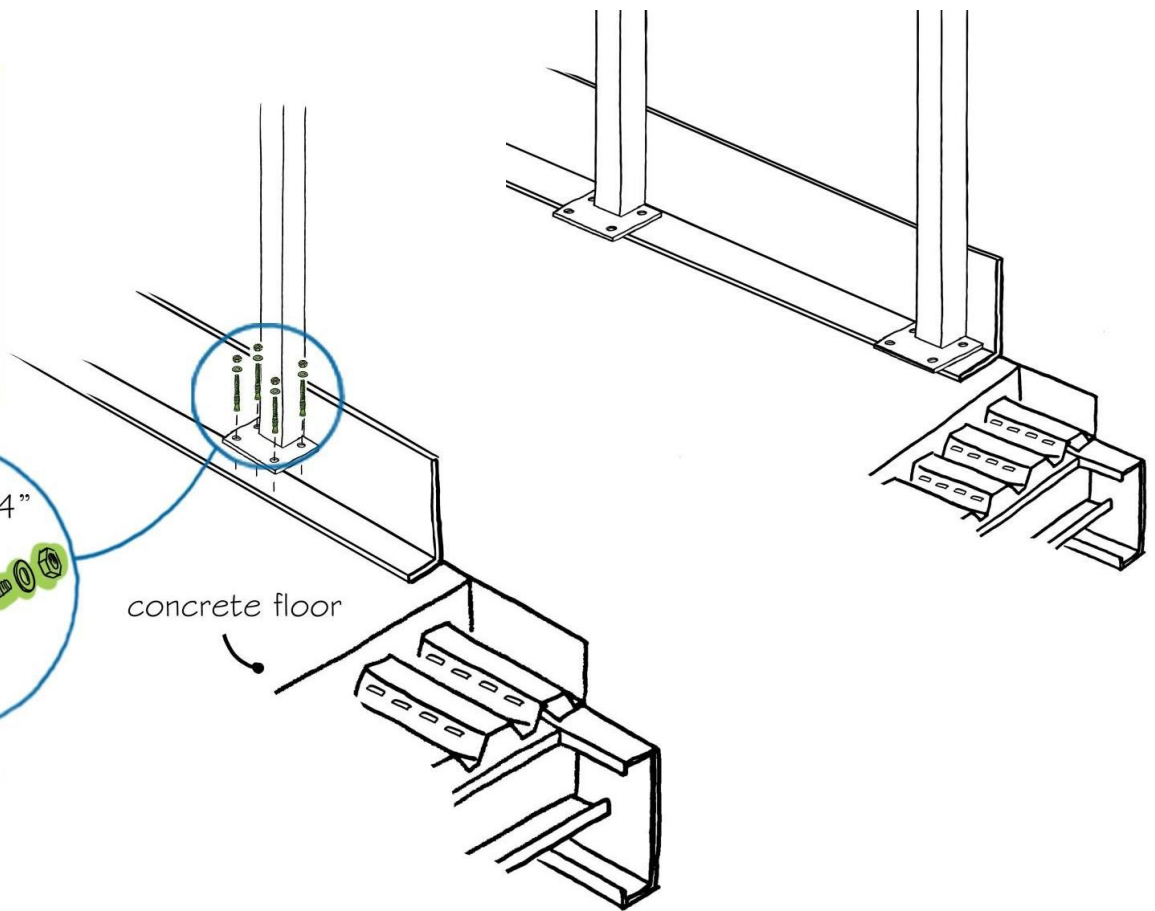
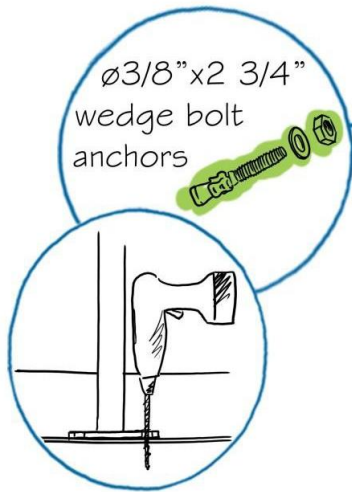
---



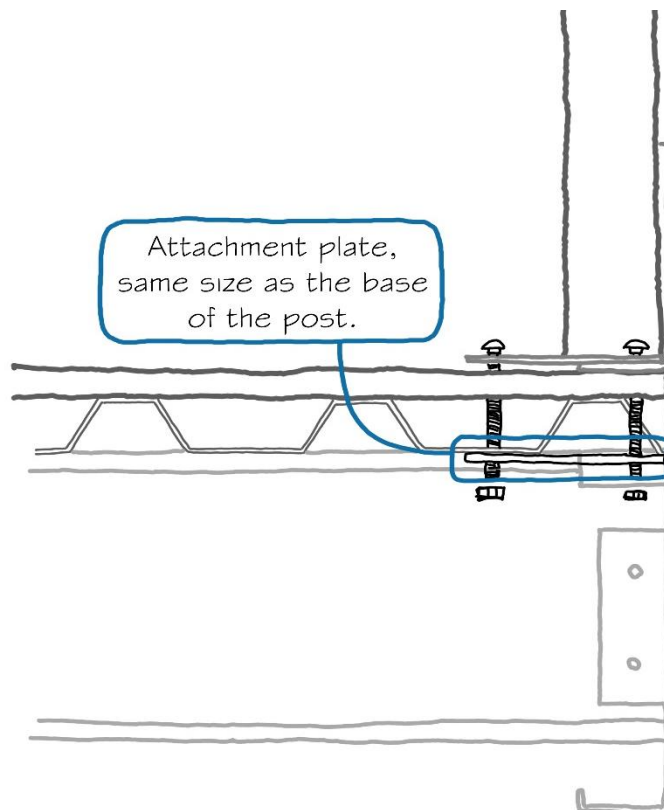


## DETAIL C (INSTALLATION ON TOP OF CONCRETE FLOORING)

On concrete slabs, place the kickplate first, then place handrail posts over the kickplate and anchor into slab with the recommended anchors.

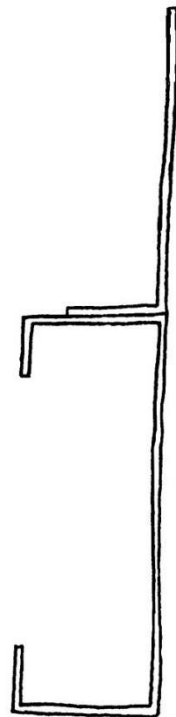
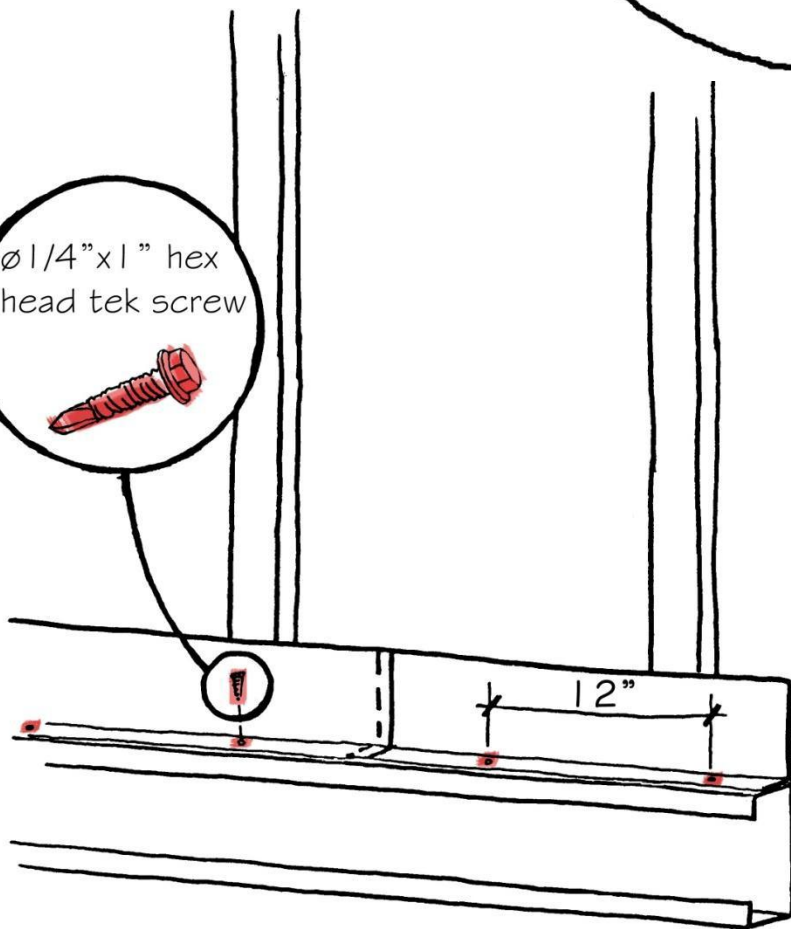
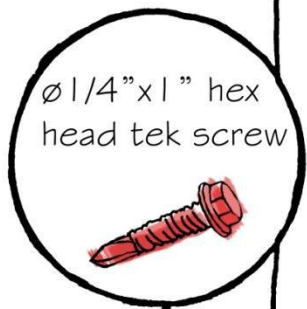
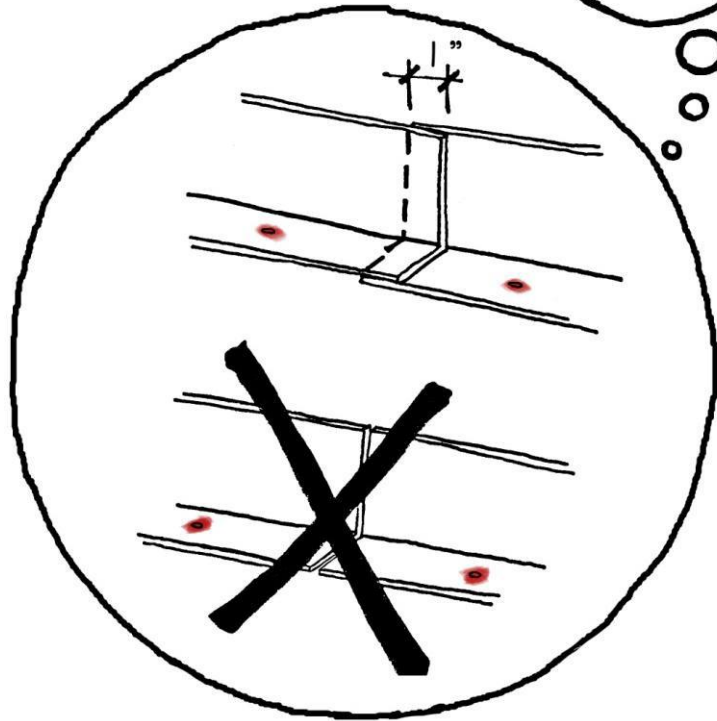


## DETAIL D (CONNECTION WITH EXISTING PRE-ENGINEERED FLOOR DECKING SYSTEM- CORRUGATED STEEL DECK FLOORING)



# STEP 2

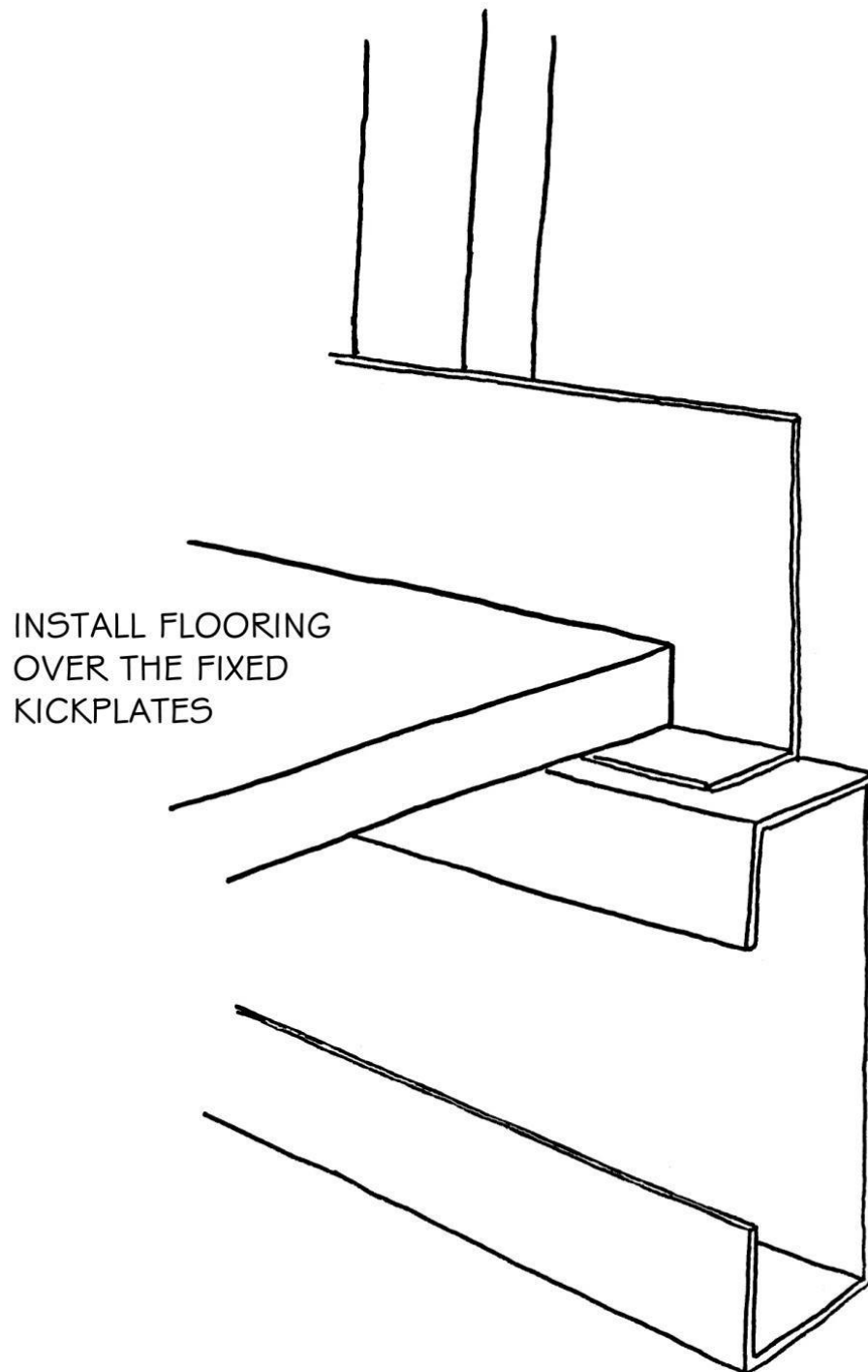
## KICKPLATE ASSEMBLY



SIDE VIEW

# STEP 3

## FLOORING

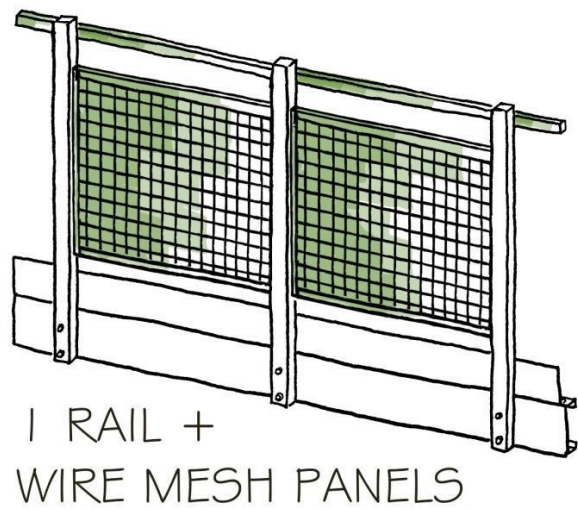
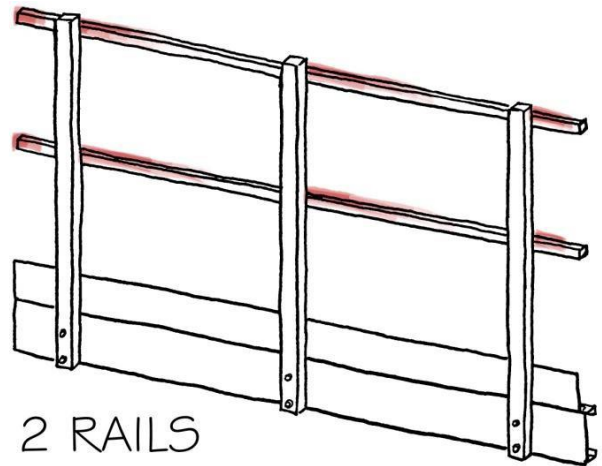


REFER TO FLOORING SECTION IN THE INSTALLATION MANUAL FOR COMPLETE DETAILS

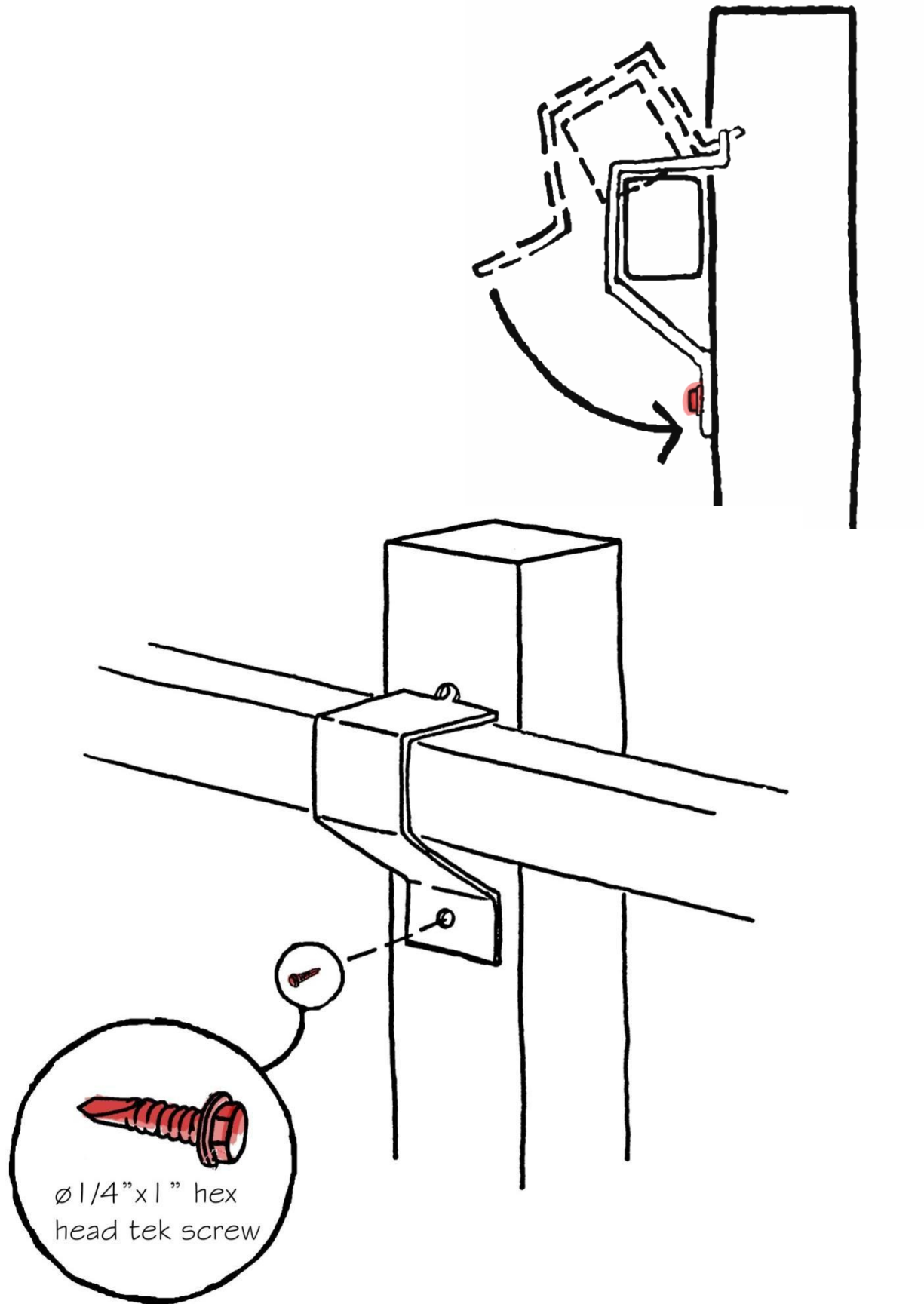


# STEP 4

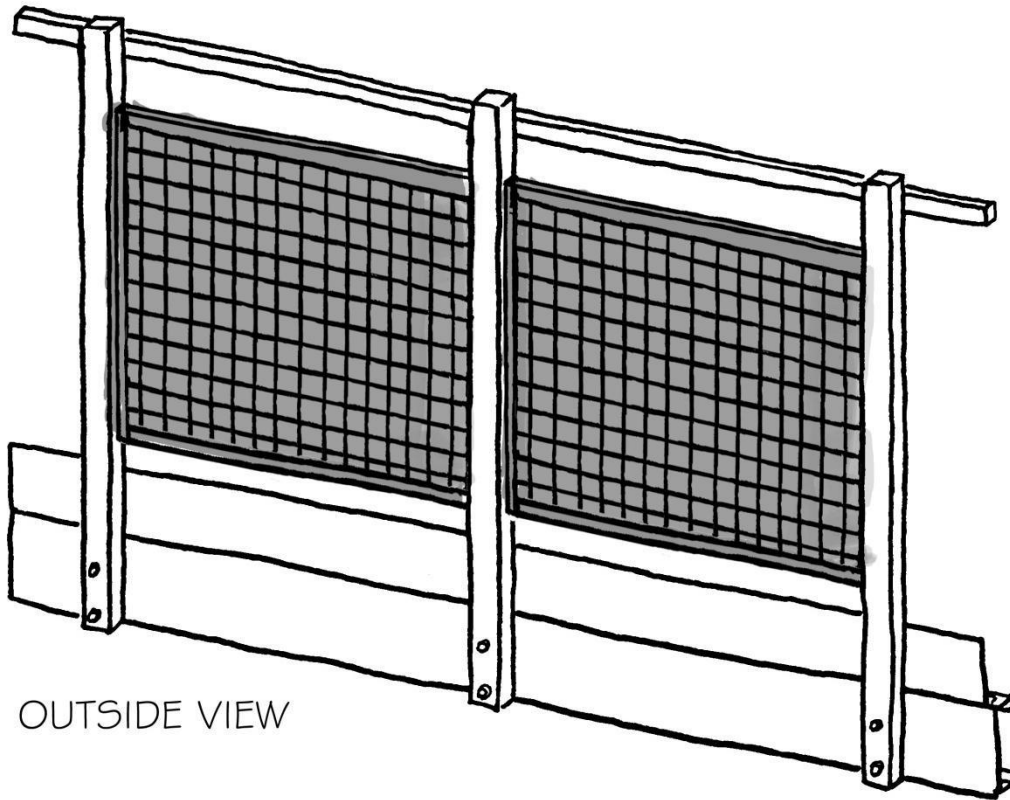
HANDRAIL TUBE / WIRE MESH PANNEL AND ATTACHEMENT CLIP



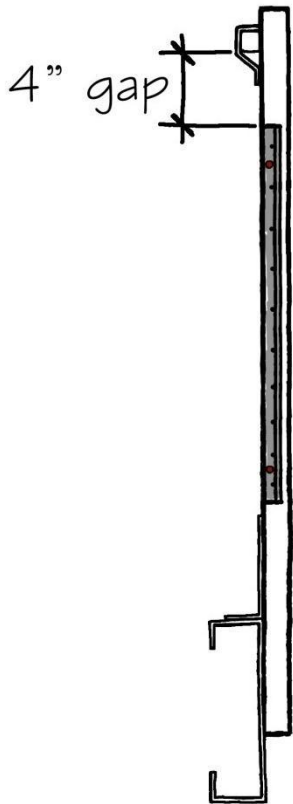
# ATTACHEMENT CLIP



# WIRE MESH PANNEL



OUTSIDE VIEW

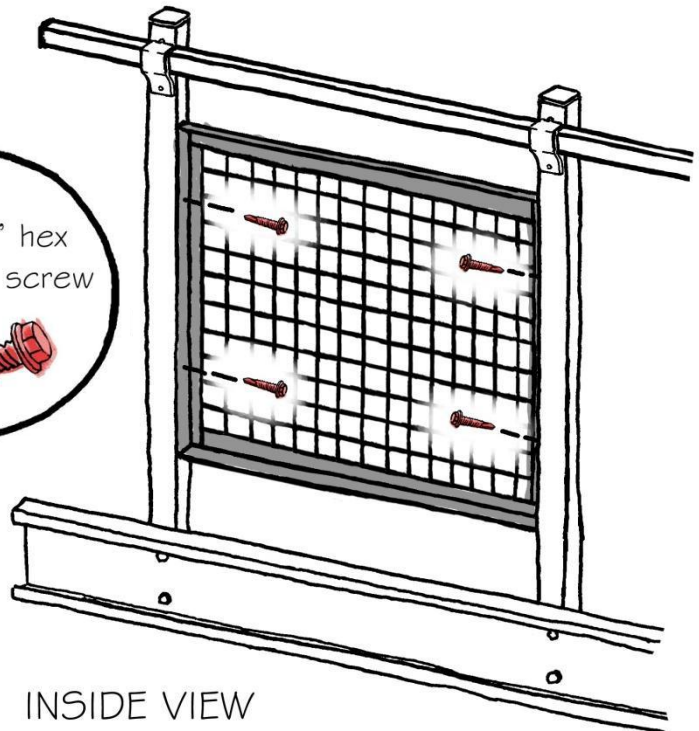


4" gap

SIDE VIEW



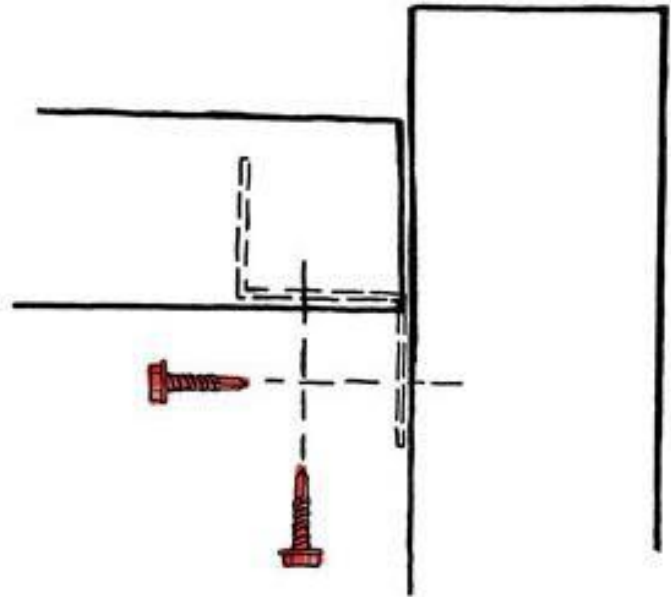
ø1/4"x1" hex head tek screw



INSIDE VIEW

# STEP 5

"Z" CLIP FOR EXTENSION POST



SIDE VIEW

